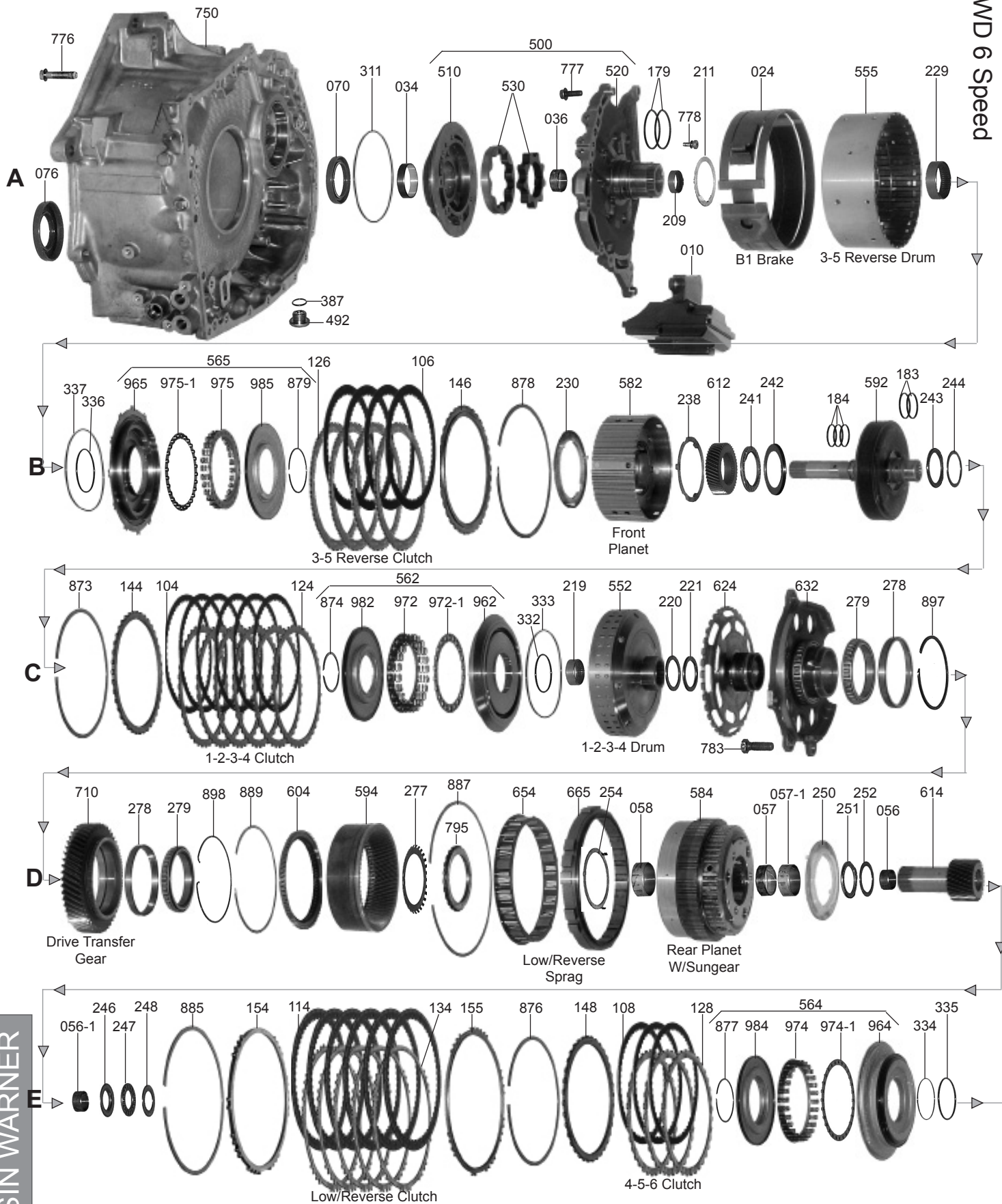


AF40/TF-80SC, AF21/TF-81SC

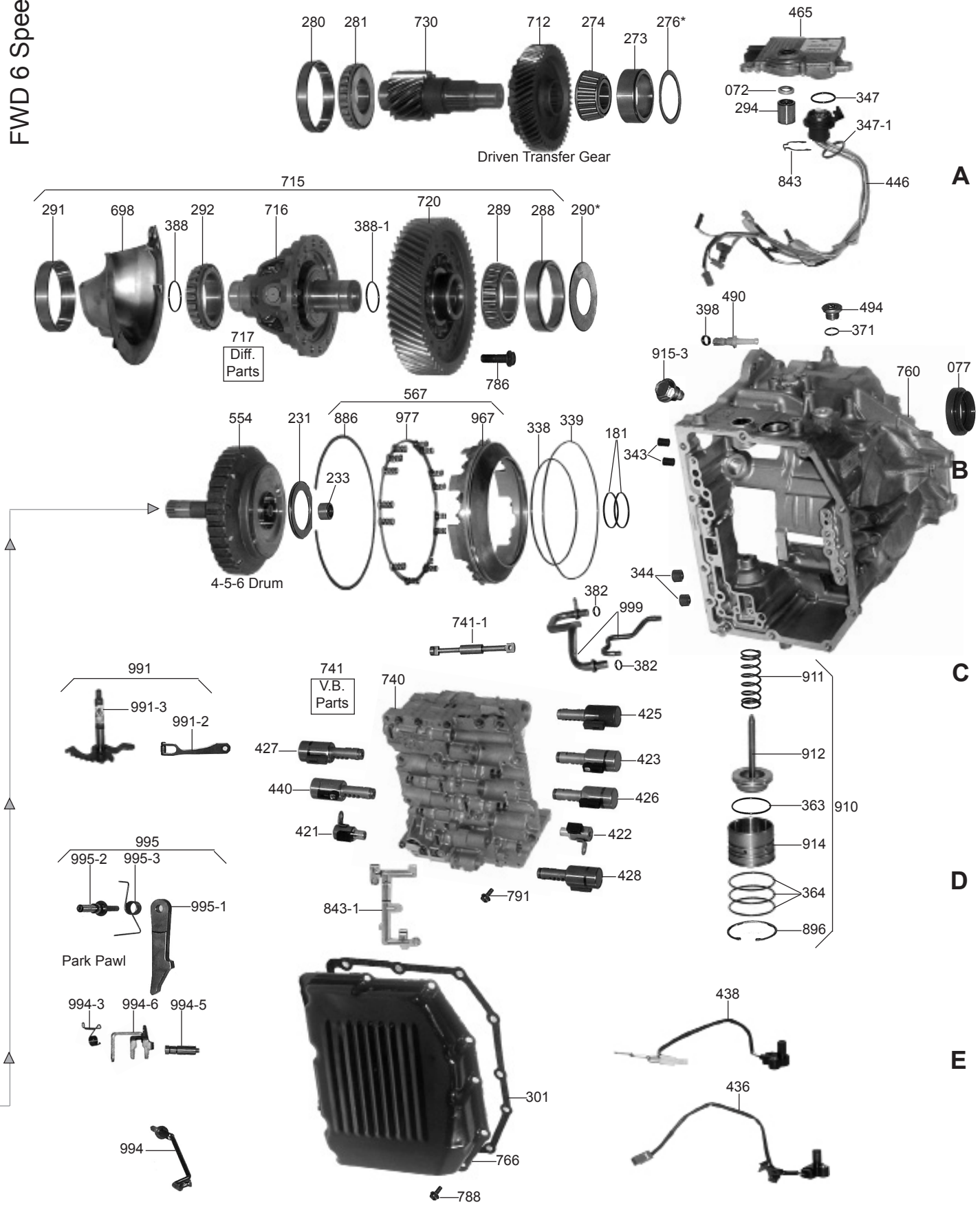


FWD 6 Speed



AISIN WARNER

FWD 6 Speed



AF40/TF-80SC, AF21/TF-81SC



FWD 6 Speed

PART #	OVERHAUL KITS	QTY	REFERENCE #
255002A	Overhaul Kit, AWTF80SC//81SC (AF40/AF21) 2005-Up	1	
PART #	MASTER L/STEELS KIT	QTY	REFERENCE #
255004A	Master L/Steels Kit, AWTF81SC 2005-Up	1	
255004B	Master L/Steels Kit, AWTF80SC 2006-Up	1	
PART #	MASTER W/STEELS KIT	QTY	REFERENCE #
255006A	Master W/Steels Kit, AWTF81SC 2005-Up	1	
255006B	Master W/Steels Kit, AWTF80SC 2006-Up	1	
PART #	FILTERS	QTY	REFERENCE #
255010A	Filter, TF-81SC (Ford) 2005-Up	1	
PART #	BANDS	QTY	REFERENCE #
255024A	Band, TF-80SC/TF-81SC(AF40) B1 Brake (2 3/8" Wide) (Split) 2005-Up	1	
PART #	BUSHINGS	QTY	REFERENCE #
255030A	Bushing Kit, TF-81SC 2005-Up	1	
255034A	Bushing, TF-81SC Pump Body (1.850"ID)(W/Oil Pockets) 2005-Up	1	
255036A	Bushing, TF-81SC Pump Stator (Front)(.660"Wide, .990"ID) (Brass) 2005-Up	1	
255056A	Bushing, TF-81SC Rear Sun Gear (Front)(.520"Wide, 1.078"OD, .955"ID)(Brass W/Oil Pockets) 2005-Up	1	
255056A-1	Bushing, TF-81SC Rear Sun Gear (Rear)(.500"Wide, 1.078"OD, .955"ID)(Brass W/Oil Pockets) 2005-Up	1	
255057A	Bushing, TF-81SC Rear Planet Front Sun Gear (Front Bushing)(.425"Wide, 1.432"OD, 1.308"ID) (Brass W/Oil Pockets) 2005-Up	1	
255057A-1	Bushing, TF-81SC Rear Planet Front Sun Gear (Rear Bushing)(.630"Wide, 1.365"OD, 1.308"ID) (Brass W/Oil Pockets) 2005-Up	1	
255058A	Bushing, TF-81SC Rear Planet (Front)(.620"Wide, 1.875"OD, 1.721"ID)(Brass W/Oil Pockets) 2005-Up	1	
PART #	METAL CLAD SEALS	QTY	REFERENCE #
255070A	Seal, TF-81SC Front (2.475"OD, 1.820"ID) 2005-Up	1	
255072A	Seal, TF-81SC Manual Lever (.280"Thick, .875"OD, .435"ID) 2005-Up	1	
255076A	Seal, TF-81SC Axle (Bell Housing Side)(3.115"OD, 1.670"ID) 2005-Up	1	
255077A	Seal, TF-81SC Axle (Case Side) (2.485"OD, 1.645"ID) 2005-Up	1	
PART #	FRICTIONS	QTY	REFERENCE #
255104A	Friction, TF-81SC 1-2-3-4 Clutch (.065")(54 Teeth)(6 3/16"OD) 2005-Up	6	
255106A	Friction, TF-81SC 3-5 Reverse Clutch (.065")(54 Teeth)(6 1/2"OD) 2005-Up	4	
255108A	Friction, TF-81SC 4-5-6 Clutch (.065")(55 Teeth)(6 5/16"OD) 2005-Up	3	
255114A	Friction, TF-81SC Low/Reverse Clutch (.063")(60 Teeth)(7 1/4"OD) 2005-Up	6	
255119A	Friction Module, TF-81SC 2005-Up	1	
255119B	Friction Module, TF-80SC(AF40) 2006-Up	1	
PART #	STEELS	QTY	REFERENCE #
255124A	Steel, TF-81SC 1-2-3-4 Clutch (.070")(40 Teeth)(5.555"ID) 2005-Up	6	
255126A	Steel, TF-81SC 3-5 Reverse Clutch (.091")(36 Teeth)(5.560"ID) 2005-Up	4	
255128A	Steel, TF-81SC 4-5-6 Clutch (.070")(36 Teeth)(5.635"ID) 2005-Up	3	
255134A	Steel, TF-81SC Low/Reverse Clutch (.068")(14 Teeth)(6 13/16"ID) 2005-Up	5	
255139A	Steel Module, AWTF80SC/AWTF81SC (AF21) 2005-Up	1	
PART #	PRESSURE PLATES	QTY	REFERENCE #
255144A	Pressure Plate, TF-81SC 1-2-3-4 Clutch (.131")(40 Teeth)(5.560"ID)(Stepped) 2005-Up	1	
255146A	Pressure Plate, TF-81SC 3-5 Reverse Clutch (.121")(54 Teeth)(5 9/16"ID)(Stepped) 2005-Up	1	
255148A	Pressure Plate, TF-81SC 4-5-6 Clutch (.121")(36 Teeth)(5 5/8"ID)(Stepped) 2005-Up	1	
255154A	Pressure Plate, TF-81SC Low/Reverse Clutch (Top)(.205")(14 Teeth)(6 13/16"ID) 2005-Up	1	
255155A	Apply Plate, TF-81SC Low/Reverse Clutch (Bottom)(.141")(14 Teeth)(6 13/16"ID)(Stepped) 2005-Up	1	

AISIN WARNER



AF40/TF-80SC, AF21/TF-81SC

FWD 6 Speed

PART #	VALVE BODY KITS	QTY	REFERENCE #
T255165A	Shift Kit, AWTF81SC (AF21) (Ford & Mazda) 2005-Up (Transgo)	1	

PART #	SEALING RINGS	QTY	REFERENCE #
255175AT	Ring Kit, TF-81SC (Teflon) 2005-Up	1	
255179AT	Ring, TF-81SC 3-5 Reverse Clutch (Stator)(.090"Wide, 2.020"OD)(Teflon) 2005-Up	1	
255181AT	Ring, TF-81SC 4-5-6 Clutch (Sets In Case)(.089"Wide, 1.855"OD)(Teflon) 2005-Up	2	
255183AT	Ring, TF-81SC Input Shaft (Rear) To 1-2-3-4 Clutch Drum (.090"Wide, 1.360"OD)(Teflon) 2005-Up	2	
255184AT	Ring, TF-81SC Front Planet Ring Gear Input Shaft To Stator (.089"Wide, 1.140"OD)(Teflon) 2005-Up	3	

PART #	WASHERS & BEARINGS	QTY	REFERENCE #
255209A	Caged Needle Bearing, TF-81SC Stator (Rear)(.475"Wide, 1.340"OD)(37 Needles) 2005-Up	1	
255211A	Washer, TF-81SC Stator To 3-5 Reverse Drum (.046"Thick, 2.530"OD)(1 Tab, Plastic) 2005-Up	1	
255219A	Caged Needle Bearing, TF-81SC 1-2-3-4 Clutch Drum (.500"Thick, 1.360"OD, 1.185"ID) (Cast # NSK D8503020W) 2005-Up	1	
255220A	Race, TF-81SC 1-2-3-4 Clutch Drum To Drive Shell (.060"Thick, 1.845"OD, 1.390"ID) 2005-Up	1	
255221A	Bearing W/Race, TF-81SC 1-2-3-4 Clutch Drum To Drive Shell (.110"Thick, 1.790"OD, 1.310"ID) 2005-Up	1	
255229A	Caged Needle Bearing, TF-81SC 3-5 Reverse Drum (.630"Wide)(Cast # NSK 00504607WA) 2005-Up	1	
255230A	Washer, TF-81SC 3-5 Reverse Clutch Drum To Front Planet (.166"Thick, 3.980"OD, 2.965"ID) (3 Hollow Legs)(Plastic) 2005-Up	1	
255231A	Bearing W/Races, TF-81SC 4-5-6 Clutch Drum To Case (.160"Thick, 2.945"OD, 1.990"ID) 2005-Up	1	
255233A	Caged Needle Bearing, TF-81SC 4-5-6 Clutch Drum Pilot To Case (.525"Thick, .865"OD) (Presses Into Case)(Cast # DB501608W) 2005-Up	1	
255238A	Washer, TF-81SC Front Planet To Front Ring Gear (.047"Thick, 3.345"OD, 2.875"ID)(3 Tab) 2005-Up	1	
255241A	Bearing W/Race, TF-81SC Front Planet Sun Gear To Ring Gear (.170"Thick, 2.400"OD, 1.730"ID) 2005-Up	1	
255242A	Race, TF-81SC Bearing # 241 To Front Planet Ring Gear (2.703"OD, 1.850"ID) 2005-Up	1	
255243A	Bearing W/Race, TF-81SC Front Planet Ring Gear To 1-2-3-4 Clutch Drum (.110"Thick, 2.065"OD, 1.545"ID) 2005-Up	1	
255244A	Race, TF-81SC Bearing # 243 To 1-2-3-4 Clutch Drum (.032"Thick, 1.905"OD, 1.508"ID) 2005-Up	1	
255246A	Race, TF-81SC Rear Sun Gear To 4-5-6 Clutch Drum (Front)(.031"Thick, 1.712"OD, 1.015"ID) 2005-Up	1	
255247A	Bearing, TF-81SC Rear Sun Gear To 4-5-6 Clutch Drum (.137"Thick, 1.715"OD, .960"ID) (19 Rollers) 2005-Up	1	
255248A	Race, TF-81SC Rear Sun Gear To 4-5-6 Clutch Drum (Rear)(.032"Thick, 1.635"OD, .960"ID) 2005-Up	1	
255250A	Washer, TF-81SC Rear Planet To 4-5-6 Clutch Drum (.230"Thick, 4.105"OD, 2.638"ID)(6 Hollow Legs)(Plastic) 2005-Up	1	
255251A	Bearing W/Race, TF-81SC Rear Planet To Rear Sun Gear (.130"Thick, 1.910"OD, 1.383"ID) 2005-Up	1	
255252A	Race, TF-81SC Rear Planet To Rear Sun Gear (.032"Thick, 1.790"OD, 1.315"ID) 2005-Up	1	
255254A	Washer, TF-81SC Support To Rear Planet (.049"Thick, 4.142"OD 2.685"ID)(3 Tab, Brass) 2005-Up	1	
255273A	Cup Race, TF-81SC Pinion Shaft To Case (.940"Thick, 2.780"OD) (Cast # NSK NTF-R33-5g) 2005-Up	1	
255274A	Cone Bearing, TF-81SC Pinion Shaft To Case (1.300"ID)(19 Rollers) (Cast # NSK NTF R33-5g) 2005-Up	1	
255276A	Shim, TF-81SC Pinion Brg To Case (Selective)(2.755"OD, 2.245"ID) 2005-Up	1	
255277A	Lock Washer, TF-81SC Under # 795 Nut (.039"Thick, 2.585"OD) 2005-Up	1	
255278A	Cup Race, TF-81SC Support To Drive Transfer Gear (Both Sides)(.382"Thick, 3.665"OD) (Cast # NSK R68-2) 2005-Up	2	
255279A	Cone Bearing, TF-81SC Support To Drive Transfer Gear (Both Sides)(2.675"ID)(41 Rollers) (Cast # NSK R68-1) 2005-Up	2	
255280A	Cup Race, TF-81SC Bell Housing To Pinion (.590"Thick, 3.700"OD) (Cast # NSK NTF R41Z-24g) 2005-Up	1	
255281A	Cone Bearing, TF-81SC Bell Housing To Pinion (25 Rollers)(1.640"ID) (Cast # NSK NTF R41Z-24Aag) 2005-Up	1	
255288A	Cup Race, TF-81SC Differential To Case (.745"Thick, 3.625"OD) (Cast # KOYO ST6292) 2005-Up	1	

AISIN WARNER

AF40/TF-80SC, AF21/TF-81SC



FWD 6 Speed

PART #	WASHERS & BEARINGS (Continued)	QTY	REFERENCE #
255289A	Cone Bearing, TF-81SC Differential To Case (2.420"ID)(29 Rollers) (Cast # KOYO ST6292)	1	
	2005-Up	1	
255290A	Shim, TF-81SC Differential Bearing To Case (Selective) (3.590"OD, 1.895"ID) 2005-Up	1	
255291A	Cup Race, TF-81SC Bell Housing To Differential (.740"Thick, 3.700"OD) (Cast # KOYO ST 5994)	1	
	2005-Up	1	
255292A	Cone Bearing, TF-81SC Bell Housing To Differential (2.320"ID)(24 Rollers)	1	
	(Cast # KOYO ST 5994) 2005-Up	1	
255294A	Caged Needle Bearing, TF-81SC Manual Shaft (.925"Long, .785"OD)(11 Needles) 2005-Up	1	

PART #	GASKETS & RUBBER COMPONENTS	QTY	REFERENCE #
255301A	Gasket, TF-81SC Side Pan (12 Bolt Holes) 2005-Up	1	
255311A	O-Ring, TF-81SC Pump Body (.098"Thick, 5"OD) 2005-Up	1	
255347A	Lathe Cut Seal, TF-81SC Case Connector To Case (.150"Thick, 1.370"OD) 2005-Up	1	
255347A-1	O-Ring, TF-81SC Case Connector To TCM (.095"Thick, 1.295"OD, 1.095"ID) 2005-Up	1	

PART #	ELECTRICAL COMPONENTS	QTY	REFERENCE #
255421A	Solenoid, TF-81SC Shift A (1.630"Long)(Black Connector) 2005-Up (Also Fits Shift B # 422)	1-2	
	2005-Up	1-2	
255422A	Use U255421A	1	
255423A	Solenoid, TF-81SC Shift C (3.330"Long)(Black Connector) (Cast # 11BN4M08960) 2005-Up	1	
255425A	Solenoid, TF-81SC TCC (3.255" Long)(Grey Connector)(Cast # 12CJ4M04741) 2005-Up	1	
255426A	Solenoid, TF-81SC Shift E (3.330"Long)(Black Connector) (Cast # 10C44M07211) 2005-Up	1	
255427A	Solenoid, TF-81SC Shift D (3.340"Long)(Grey Connector) (Cast # 14BM4M15382) 2005-Up	1	
255428A	Solenoid, TF-81SC Line Pressure (3.330"Long)(Grey Connector)(Cast # 14BM4L11834)	1	
	2005-Up	1	
255436A	Sensor, TF-81SC Output (2 Blade Brown Connector)(13" Wire Harness) 2005-Up	1	
255438A	Sensor, TF-81SC Input (2 Blade White Connector)(11" Wire Harness) 2005-Up	1	
255440A	Solenoid, TF-81SC Shift F (3.320"Long)(Black Connector) (Cast # 14CD4L12494) 2005-Up	1	
255446A	Wire Harness, TF-81SC Internal (20 Pin TCM Connector, With 10 Two Prong Connectors & 1 Temp Sensor) 2005-Up	1	
255465A	TCM, TF-81SC W/Neutral Safety Switch (20 Pin Round Connector To Case)(12 Pin W/4 Blade Rectangle Connector To External Wire Harness)(3 Bolts To Case) 2005-Up	1	

PART #	MISCELLANEOUS COMPONENTS	QTY	REFERENCE #
255490A	Vent, TF-81SC Case (Plastic, Push-In)(2"Long) 2005-Up	1	
255492A	Drain Plug, TF-81SC On Bottom Of Bell Housing (Allen Head, 1.005"OD, .605" Tall)(W/Magnet Inside) 2005-Up	1	
255494A	Filler Plug, TF-81SC On Top Of The Case (Torx Head, 1.005"OD, .620" Tall) 2005-Up	1	

PART #	HARDPARTS	QTY	REFERENCE #
255500A	Pump Assembly, TF-81SC (9 Lobes On Inner Gear, .437"Thick) 2005-Up	1	
255510A	Pump Body W/Gears, TF-81SC (9 Lobes On Inner Gear W/2 Inner lugs, .437"Thick) 2005-Up	1	
255520A	Stator, TF-81SC (4 1/2"Long Shaft) 2005-Up	1	
255530A	Pump Gears, TF-81SC (9 Lobes On Inner Gear With 2 Inner) 2005-Up	1	
255552A	Drum, TF-81SC 1-2-3-4 Clutch (6 9/16"OD, 2.470" Tall) (1.750"OD Hub)(No Notches Around OD Of Hub) 2005-Up	1	
255552AA	Drum, TF-82SC 1-2-3-4 Clutch (6 9/16"OD, 2.470" Tall)(1.750"OD Hub)(Has 6 Notches Around OD Of Hub) 2005-Up	1	
255554A	Drum With Shaft, TF-81SC 4-5-6 Clutch (6 1/16" Long) (1.840" ID Of Shaft) 2005-Up	1	
255555A	Drum, TF-81SC 3-5 Reverse Clutch (4 Clutch)(3.050" Tall)(6 15/16"OD)(2.010"ID Ring Bore) (Uses A Piston Without Spring Pockets) 2005-Up	1	
255555AA	Drum, TF-81SC 3-5 Reverse Clutch (4 Clutch)(3.050" Tall)(6 15/16"OD)(2.010"ID Ring Bore) (Uses A Piston With Spring Pockets) 2005-Up	1	
255562A	Piston Kit, TF-81SC 1-2-3-4 Clutch (Bonded) (Piston Does Not Have Spring Pockets For Springs) 2005-Up	1	
255562AA	Piston Kit, TF-81SC 1-2-3-4 Clutch (Bonded)(Piston Has Spring Pockets For Springs) 2005-Up	1	
255564A	Piston Kit, TF-81SC 4-5-6 Clutch (Bonded) 2005-Up	1	
255565A	Piston Kit, TF-81SC 3-5 Reverse Clutch (Bonded Retainer)(Piston Does Not Have Spring Pockets) 2005-Up	1	
255565AA	Piston Kit, TF-81SC 3-5 Reverse Clutch (Bonded Retainer)(Piston Has Spring Pockets) 2005-Up	1	
255567A	Piston Kit, TF-81SC Low/Reverse Clutch 2005-Up	1	
255582A	Planet, TF-81SC Front (3 Gear, Steel)(Uses A 45 Teeth Sun Gear) (2 1/4" Wide, 5 1/2"OD) 2005-Up	1	

AISIN WARNER



AF40/TF-80SC, AF21/TF-81SC

FWD 6 Speed

255584A	Planet, TF-81SC Rear (W/33 Teeth Sun Gear)(2.180"Wide, 2.495"OD) (1.720"OD Hub) 2005-Up	1
	(The 33 Teeth Sun Gear Stays In Planet)	
255592A	Ring Gear W/Input Shaft, TF-81SC Front Planet (81 Teeth)(5.165"OD)(7 1/4"Long Shaft, W/23 Splines) 2005-Up	1
255594A	Ring Gear, TF-81SC Rear Planet (72 Teeth)(1.725"Wide, 5.530"OD) 2005-Up	1
255604A	Hub, TF-81SC Rear Planet Ring Gear (.470"Thick, 5.110"OD) 2005-Up	1
255612A	Sun Gear, TF-81SC Front Planet (45 Teeth)(.708"Thick, 2.705"OD) 2005-Up	1
255614A	Sun Gear, TF-81SC Rear Planet (Rear)(27 Teeth)(4.145"Long, 2.065"OD) 2005-Up	1
255624A	Drive Shell, TF-81SC (1.710"Thick, 6 13/16"OD)(2.045"OD Hub)(36 Outer Teeth) 2005-Up	1
255632A	Support, TF-81SC Drive Transfer Gear (1.657"Thick, 2.095"ID)(6 Bolt, Cast Iron) 2005-Up	1

PART #	SPRAGS	QTY	REFERENCE #
255654A	Sprag, TF-81SC Low/Reverse (20 Rollers, W/Plastic Cage, W/5 Brass Spacers)(6 7/8"OD) 2005-Up	1	
255665A	Outer Race, TF-81SC Low/Reverse Sprag (.805"Thick, 7 3/4"OD, 6 1/2"ID)(13 Outer Lugs) 2005-Up	1	

PART #	HARDPARTS (Continued)	QTY	REFERENCE #
255698A	Oil Baffle, TF-81SC Bell Housing To Differential (3 Bolt Tin) 2005-Up	1	
255710A	Gear, TF-81SC Drive Transfer (51 Teeth)(1.327"Thick, 5.620"OD, 3.655"ID) 2005-Up	1	
255712A	Gear, TF-81SC Driven Transfer (50 Teeth)(15 Park Lugs) 2005-Up	1	
255715A	Differential Assembly, TF-81SC (W/53 Teeth Ring Gear) 2005-Up	1	
255716A	Differential Housing, TF-81SC (Less Ring Gear)(16 Bolt Holes)(7" Tall)(Uses A 24 & 29 Roller Bearing) 2005-Up	1	
255720A	Ring Gear, TF-81SC Differential (53 Teeth)(1.715"Thick, 8 1/8"OD) 2005-Up	1	
255730A	Pinion, TF-81SC (15 Teeth)(6 1/2" Long) 2005-Up	1	
255740A	Valve Body, TF-81SC (Ford/Mazda) 8 Solenoid (Cast # 5G13-7Z488-8A)(Cast # A1, A2, Or A3 On Separator Plate)	1	
255740AA	Valve Body, TF-81SC (Ford/Mazda) 8 Solenoid (Cast # 5G13-7Z488-AA)(Cast # A4 Or A5 On The Separator Plate)	1	
255741A-1	Manual Valve, TF-81SC (4.500" Long)(3 Lands) 2005-Up	1	
255750A	Bell Housing, TF-81SC (3 1/4" Top Bolts)(Starter At 11:00)(5 1/2"Thick) 2005-Up	1	
255760A	Case, TF-81SC (Ford)(Metal Tag # TF-81SC) 2005-Up	1	
255766A	Pan, TF-81SC Side (12 Bolt) 2005-Up	1	
255776AK	Bolt Set, TF-81SC Bell Housing To Case (23 Pieces) 2005-Up	1	
255777AK	Bolt Set, TF-81SC Pump To Case (7 Pieces) 2005-Up	1	
255778AK	Bolt Set, TF-81SC Pump Body To Stator (8 Pieces) 2005-Up	1	
255783AK	Bolt Set, TF-81SC Drive Transfer Gear Support To Case (6 Pieces) 2005-Up	1	
255786AK	Bolt Set, TF-81SC Differential Ring Gear (12 Pieces) 2005-Up	1	
255791AK	Bolt Set, TF-81SC Valve Body To Case (8 Pieces) 2005-Up	1	
255795A	Nut, TF-81SC Holds Drive Transfer Gear To Support (2.500"ID)(24 Outer Notches) 2005-Up	1	
255843A	Clip, TF-81SC Holds Internal Wire Harness To Case (1.275"Wide)(W/2 Eyelets) 2005-Up	1	
255843A-1	Bracket, TF-81SC Holds Solenoid Retaining Pins In Valve Body (2 Bolt) 2005-Up	1	
255873A	Snap Ring, TF-81SC Holds 1-2-3-4 Clutch Pressure Plate In Drum (.062"Thick, 6 11/16"OD) 2005-Up	1	
255874A	Snap Ring, TF-81SC Holds 1-2-3-4 Clutch Return Spring In (.059"Thick, 2.085"OD) 2005-Up	1	
255876A	Snap Ring, TF-81SC Holds 4-5-6 Clutch Pressure Plate In Drum (.062"Thick, 6 3/4"OD) 2005-Up	1	
255877A	Snap Ring, TF-81SC Holds 4-5-6 Clutch Retainer In (.048"Thick, 2.270"OD) 2005-Up	1	
255878A	Snap Ring, TF-81SC Holds 3-5 Reverse Clutch Pressure Plate In (.063"Thick, 7"OD) 2005-Up	1	
255879A	Snap Ring, TF-81SC Holds 3-5 Reverse Clutch Retainer/Piston In (.058"Thick, 2.360"OD) 2005-Up	1	
255885A	Snap Ring, TF-81SC Holds Low/Reverse Clutch Pressure Plate In Case (.079"Thick, 7 11/16"OD) 2005-Up	1	
255886A	Snap Ring, TF-81SC Holds Low/Reverse Clutch Spring Retainer In Case (.048"Thick, 7 7/8"OD) 2005-Up	1	
255887A	Snap Ring, TF-81SC Holds Low/Reverse Sprag Outer Race To Case (.048"Thick, 7 3/4"OD) 2005-Up	1	
255889A	Snap Ring, TF-81SC Holds Rear Planet Ring Gear Hub To Ring Gear (.047"Thick, 5.520"OD) 2005-Up	1	
255896A	Snap Ring, TF-81SC Holds B1 Brake Servo In Case (.072"Thick, 2.590"OD)(W/2 Eyelets) 2005-Up	1	
255897A	Snap Ring, TF-81SC Holds # 278 Outer Races Apart (.098"Thick, 3.855"OD) 2005-Up	1	
255898A	Snap Ring, TF-81SC Holds Rear Planet Ring Gear Hub # 604 To Drive Transfer Gear (.054"Thick, 4.435"OD)(Curved Ends) 2005-Up	1	
255910A	Servo Assembly, TF-81SC B1 Brake (3 Groove Pin) 2005-Up	1	
255911A	Spring, TF-81SC B1 Brake Servo (2.885"Long, 1.030"OD) 2005-Up	1	
255912A	Piston, TF-81SC B1 Brake Servo (2.080"OD)(W/3 Groove Pin, 4.087"Long) 2005-Up	1	

AISIN WARNER

AF40/TF-80SC, AF21/TF-81SC



FWD 6 Speed

PART #	HARDPARTS (Continued)	QTY	REFERENCE #
255914A	Cover, TF-81SC B1 Brake Servo (2.415"OD, 2.085"ID, 1.960" Tall) 2005-Up	1	
255915A-3	Band Anchor, TF-81SC (Screw-In, 1.440" Long) 2005-Up	1	
255962A	Piston, TF-81SC 1-2-3-4 Clutch (.815" Thick, 6 1/8" OD, 2.085" ID) 2005-Up	1	
255964A	Piston, TF-81SC 4-5-6 Clutch (Bonded)(1.065" Tall, 6 3/16" OD 2.250" ID) 2005-Up	1	
255964AK	Piston Kit, TF-80SC/TF-81SC (Bonded) 2005-Up (Contains: # 964, 982A, 984A & 985A)	1	
255965A	Piston, TF-81SC 3-5 Reverse Clutch (.720" Thick)(2.385" ID)(Steel)(12 Outer Lugs) Does Not Have Spring Pockets 2005-Up	1	
255965AA	Piston, TF-81SC Reverse Clutch (.720" Thick)(2.385" ID)(Steel)(12 Outer Lugs) Has Spring Pocket 2005-Up	1	
255967A	Piston, TF-81SC Low/Reverse Clutch (Aluminum)(1.850" Thick, 5.480" ID) 2005-Up	1	
255972A	Spring W/Retainer, TF-81SC 1-2-3-4 Clutch Return (4.060" OD, 3.065" ID)(22 Springs) 2005-Up	1	
255972A-1	Retainer, TF-81SC 1-2-3-4 Clutch Return Spring (4.060" OD, 3.155" ID)(22 Holes) 2005-Up	1	
255974A	Spring W/Retainer, TF-81SC 4-5-6 Clutch Return (4.330" OD, 3.495" ID)(28 Springs) 2005-Up	1	
255974A-1	Retainer, TF-81SC 4-5-6 Clutch Return Spring (4.195" OD, 3.595" ID)(28 Holes) 2005-Up	1	
255975A	Spring/Retainer, TF-81SC 3-5 Reverse Clutch Return (28 Springs)(4.155" OD, 3.300" ID) 2005-Up	1	
255975A-1	Retainer Plate, TF-81SC 3-4 Reverse Clutch Return Spring (28 Holes)(4.100" OD, 3.380" ID) 2005-Up	1	
255977A	Spring W/Retainer, TF-81SC Low/Reverse Clutch Return (.750" Thick, 7 5/8" OD, 6 3/4" ID) (14 Springs) 2005-Up	1	
255982A	Retainer/Piston, TF-81SC 1-2-3-4 Clutch (Bonded)(.420" Thick, 4.925" OD, 1.905" ID) 2005-Up	1	
255984A	Retainer/Piston, TF-81SC 4-5-6 Clutch Spring (Bonded)(4.660" OD, 2.215" ID) 2005-Up	1	
255985A	Retainer/Piston, TF-81SC 3-5 Reverse Clutch Spring (Bonded)(5.050" OD, 2.315" ID) 2005-Up	1	
255995A	Park Pawl Assembly, TF-81SC (Ford) 2005-Up	1	
255999A	Oil Tube Set, TF-81SC (2 Tubes) 2005-Up	1	

AISIN WARNER



Technical Bulletin # 1348

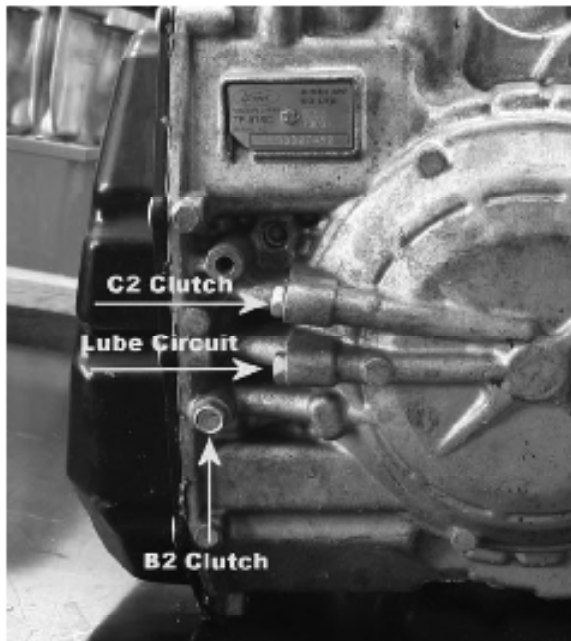
Transmission: TF-81SC/AWF-21/AW6AEL

Subject: *Pressure Tap Identification and Specifications*

Application: Ford, Volvo, Mazda

Issue Date: October, 2010

TF-81SC/AWF-21/AW6AEL
Pressure Tap Locations and Specifications



Clutch	Range	Pressure
C1	Drive (1st-4th)	28-199 psi.
C2	Drive (4th-6th)	28-199 psi.
C3	Drive (3rd-5th)	28-199 psi.
C3	Reverse	57-270 psi.
B2	Low/M1	85-199 psi.
B2	Reverse	57-270 psi.

